



A CRH COMPANY

# RAILduct™ Cable Trough

CABLEprotect

RAILduct™

# Introduction

The modern, lightweight alternative to concrete cable troughing.

RAILduct™ is an HDPE moulded cable trough system, manufactured by Cubis Systems.

Weighing under 15kg but capable of taking loads imparted by vehicular traffic, RAILduct™ offers significant advantages in health and safety, speed of installation and flexibility.

Most importantly, laying RAILduct™ is typically 5 times faster than traditional concrete units, reducing the total cost of installation. 1 metre long sections are connected using the unique Twist and Lock jointing mechanism which allows a small amount of movement to follow gentle curves in the track.

RAILduct™ has been installed in many rail applications throughout the world and in different extremes of temperatures. It has also been adapted for projects in power and highways applications.

## Contents

---

Introduction	02
Key Features	05
Product Design, Features & Profile	06



## Key Features

### Secure

Units come with a lockable cover as standard. As the interlocking connection between the components is completely buried during installation, RAILduct™ cannot be disassembled by vandals.

### Strong

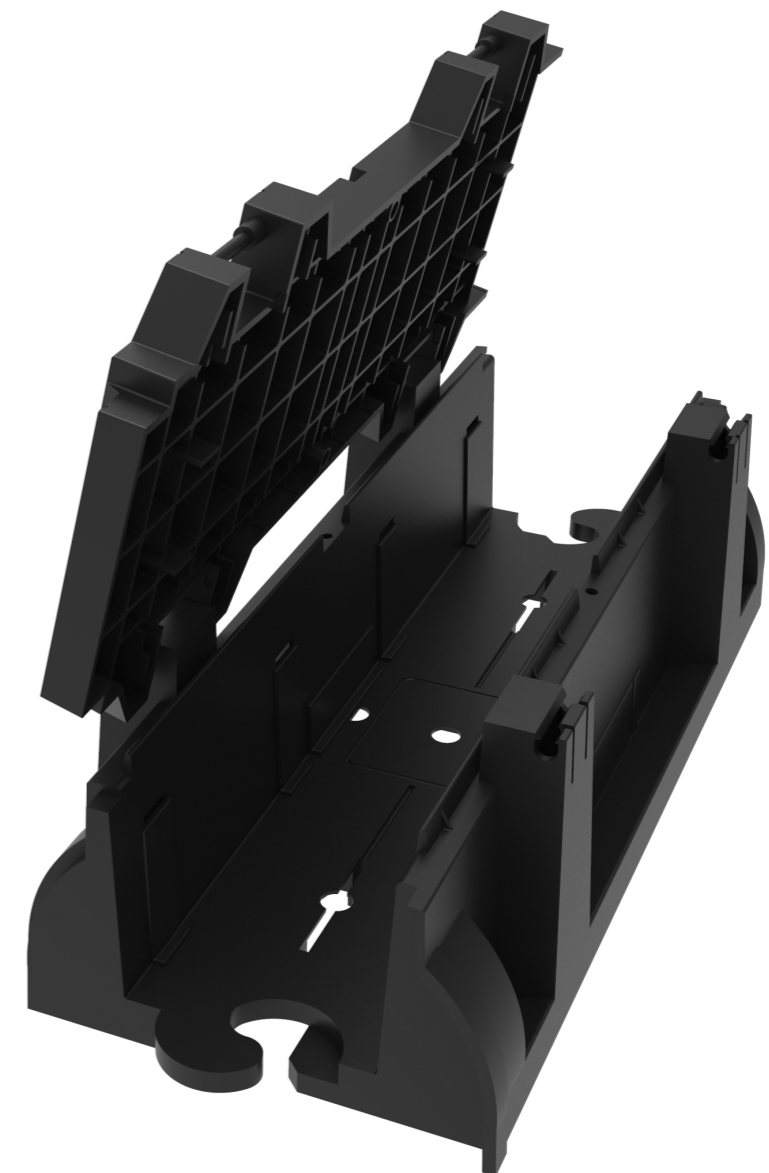
RAILduct™ has a strong structural design, vertically and laterally, due to the material used (nitrogen foamed HDPE) and reinforced ribbing.

### Lightweight

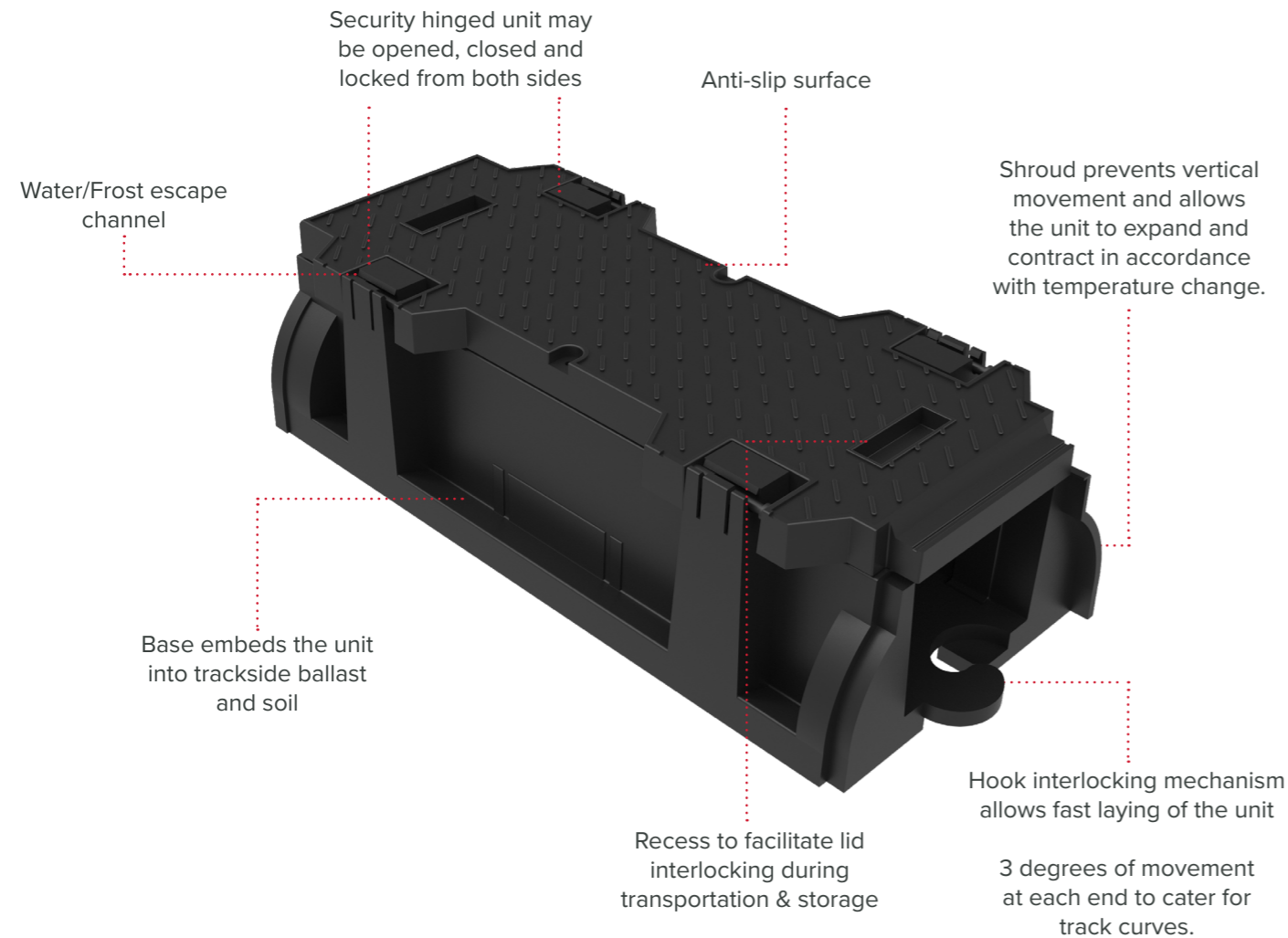
All parts weigh below 25kg, making one unit suitable for a single person to lift. A single concrete unit can weigh up to 120kg. Choosing RAILduct™ results in faster, safer and cheaper installations.

### Flexible

RAILduct™ is built with 3° of flexibility in the interlocking connection to match bends in the track. For more extreme bends, vertical and horizontal bends can be supplied.



# Product Design, Features & Profile



Snap in hinged cover.



Standard tamper proof locks and keys available



Optional channel divider and optional drainage channel and brackets available for cable management

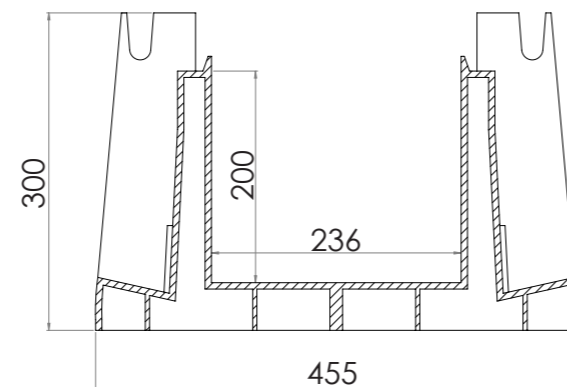


Units are joined together using Twist and Lock mechanism

## Product Profile

Weight:	9.9kg (body) 4.3kg (cover) 14.2kg (total)
Length:	1020mm
Material:	High Density Polyethylene
Pallet qty:	Body - 15 per pallet Cover - 60 per pallet

## Section Profile



## Temperature Range

RAILduct™ is suitable for installation in all environments. The HDPE material used has a high UV stability. Details of testing can be supplied on request.

## Bends & T-Junctions

RAILduct™ has 3 degrees of flexibility built into every unit due to the twist and lock mechanism. For more extreme bends, units can be supplied that meet the exact requirements of the track design. T-Junction units can also be supplied for breaking away from a cable trough run.



## Strength

RAILduct™ is designed with reinforced ribbing which ensures it meets vertical load requirements of up to 60kN (6 tonnes) to Class A requirements in accordance with AS 3996'.

## Contact us:

Head Office:  
4 Silverwood Industrial Estate,  
Lurgan, Co. Armagh,  
BT66 6LN,  
Northern Ireland

Telephone: +44 (0)28 38 313 100  
Email: [info@cubis-systems.com](mailto:info@cubis-systems.com)

[www.cubis-systems.com](http://www.cubis-systems.com)



## Driven by Innovation

Cubis is Europe's leading manufacturer of network access chamber and ducting systems, used in the construction of infrastructure networks for rail, telecoms, water, construction and power markets.

Cubis has developed an innovative approach in an old-fashioned industry. This has been achieved by developing quality products which replace traditional construction materials, like bricks and concrete, with lightweight plastics incorporating intelligent design features. These can then be installed faster and ultimately save our customers both time and money.

Cubis manufactures preformed network access chamber systems STAKKAbox™, AX-S™ access covers, cable protection, MULTIduct™ and PROtrough cable trough at its manufacturing sites throughout the UK and Ireland these products are exported to more than 25 countries throughout the World.

At Cubis we pride ourselves on delivering technical customer support, new innovation, product quality and the highest levels of customer satisfaction.

## Ordering Information

For pricing, order codes and any other information, contact the UK Sales Office.

Telephone: +44 (0)28 38313 100  
Email: [sales@cubis-systems.com](mailto:sales@cubis-systems.com)